

Navilite®

EXIT AND EMERGENCY LIGHTING

INSTALLATION INSTRUCTIONS

FOR N4 HO EMERGENCY UNIT

IMPORTANT SAFEGUARDS:

WARNING — When using electrical equipment, basic safety precautions should always be followed including the following:

READ AND FOLLOW ALL SAFETY INSTRUCTIONS

1. Review the diagrams thoroughly before beginning. If you feel you do not have electrical wiring experience, refer to a do-it-yourself wiring handbook or have your fixture installed by a qualified licensed electrician.
2. All electrical connections must be in accordance with local codes, ordinances, and the National Electric Code. If you are unfamiliar with methods of installing electrical wiring, secure the services of a qualified electrician.
3. Before starting the installation, disconnect the power by turning off the circuit breaker or by removing the appropriate fuse at the fuse box.
4. Do not use outdoors.
5. Do not let power supply cords touch hot surfaces.
6. Do not mount near gas or electric heaters.
7. Use caution when servicing batteries. Battery acid can cause burns to skin and eyes. If acid is spilled on skin or in eyes, flush acid with fresh water and contact a physician immediately.
8. Equipment should be mounted in location and at heights where it will not readily be subject to tampering by unauthorized personnel.
9. The use of accessory equipment not recommended by the manufacturer may cause an unsafe condition.
10. Do not use this equipment for other than intended use.
11. All servicing should be performed by qualified personnel only.
12. Allow battery to charge for 48 hours before first use.

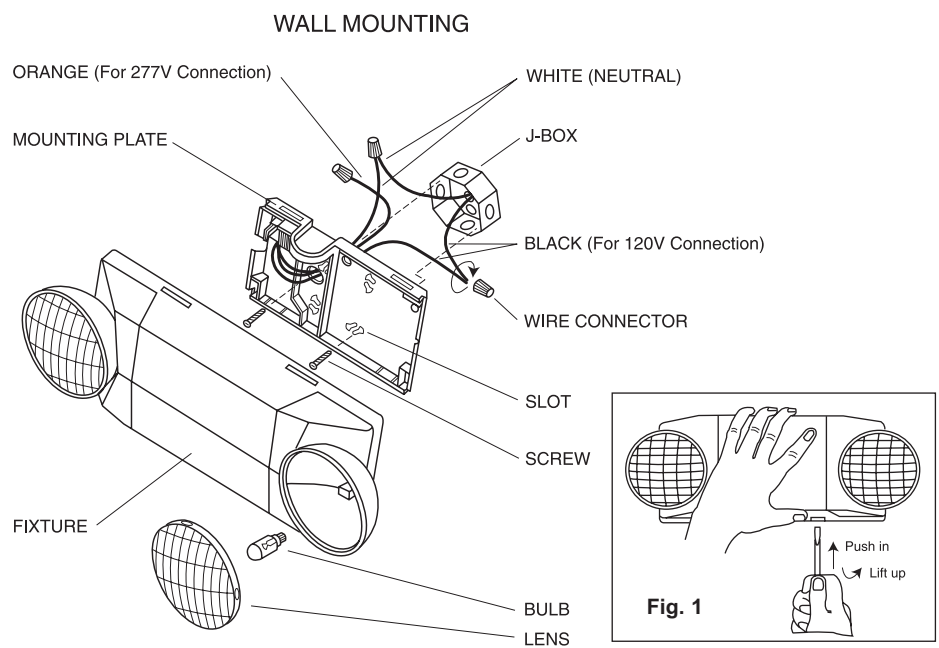
UNPACK THE FIXTURE

Check the contents of the box.

You should receive:

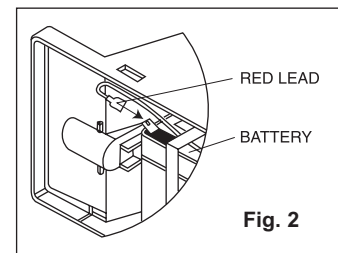
- 1 - EMERGENCY UNIT AND MOUNTING PLATE ASSEMBLY
- 1 - HARDWARE PACKAGE

NOTE: First turn off electricity.



Wall and Ceiling Mounting on J-Box

1. Remove mounting plate from fixture by pushing firmly and prying with screw driver (see Fig. 1).
2. Using a screwdriver, punch out the appropriate keyhole slots and the center round hole on the mounting plate. If needed, hammer the back of the screw driver to help open the slots.
3. Pass the wire leads through the center hole of the mounting plate and make the electrical connections in the J-Box as shown in wiring diagram. If using 120V AC supply use the BLACK and WHITE leads only and cap off the ORANGE lead. If using 277V AC input, use the ORANGE and WHITE leads only and cap off the BLACK lead.
4. Attach the mounting plate to the J-Box with the screws provided (8#32 x 1" long).
5. Connect the red battery lead to the red (positive) battery terminal (see Fig. 2).



6. Snap on the fixture to the mounting plate by first aligning the slots at the top of the fixture with the latch on the top of the mounting plate. Then push the fixture towards the mounting plate until the bottom latches snap in.
7. Restore power. The red LED indicator light should be ON. Press the test button. The emergency lights should turn on and the LED indicator will turn OFF. Release the test button and allow the unit to charge for at least 48 hours before performing a full load test.

SAVE THESE INSTRUCTIONS

FOR N4 HO EMERGENCY UNIT

IMPORTANT SAFEGUARDS:

WARNING — When using electrical equipment, basic safety precautions should always be followed including the following:

READ AND FOLLOW ALL SAFETY INSTRUCTIONS

Ceiling Mounting with Conduit

1. Remove mounting plate from fixture by pushing firmly and prying with screw driver (see Fig. 1).
2. Using a screwdriver punch out the top knock out on the top of the fixture and the one on the top of the back plate. If needed, hammer the back of the screw driver to help open the top knock out.
3. Secure the mounting plate to the conduit pipe (not provided) using a nut (not provided).
4. Pass the wire leads through the conduit and through the top hole of the mounting plate. Make the electrical connections as shown in ceiling mounting diagram. If using 120V AC supply use the BLACK and WHITE leads only and cap off the ORANGE lead. If using 277V AC input, use the ORANGE and WHITE leads only and cap off the BLACK lead.
5. Connect the red battery lead to the red (positive) battery terminal (see Fig. 2).
6. Snap on the fixture to the mounting plate by first aligning the slots at the top of the fixture with the latch on the top of the mounting plate. Then push the fixture towards the mounting plate until the bottom latches snap in.
7. Restore power. The red LED indicator light should be ON. Press the test button. The emergency lights should turn on and the LED indicator will turn OFF. Release the test button and allow the unit to charge for at least 48 hours before performing a full load test.

RELAMPING

- 1- Insert a flat screwdriver into the slot between lens and light head body and then push gently to remove lens.
- 2- Replace bulb

CAUTION: Do not exceed recommended maximum wattage of lamps. Refer to label inside the fixture.

Product Services Phone (888) 387-2212

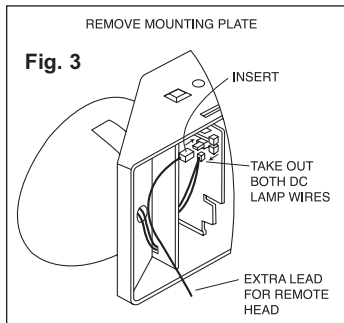
WARRANTY

Juno Lighting Group warrants that its products are free from defects in material and workmanship. Juno Lighting Group's obligation is expressly limited to repair or replacement, without charge, at Juno Lighting Group's factory after prior written return authorization has been granted. This warranty shall not apply to products which have been altered or repaired outside of Juno Lighting Group's factory. This warranty is in lieu of all other warranties, expressed or implied, and without limiting the generality of the foregoing phrase, excludes any implied warranty of merchantability. Also, there are no warranties which extend beyond the description of the product on the company's literature setting forth terms of sale.

1300 S. Wolf Rd • P.O. Box 5065 • Des Plaines, IL 60017-5065 • Phone: 800-323-5068 • www.junolightinggroup.com

ELECTRICAL CONNECTIONS

Connect white wire lead from the fixture to white (neutral) wire supply feed from circuit. Connect BLACK (120V) wire or ORANGE (277V) wire from the fixture (depending on the supply voltage) to the black (hot) wire from supply circuit. Use UL listed wire connectors suitable for the size, type, and number of conductors. No loose strands or loose wires should be present. Secure wire connectors with UL listed electrical tape or wire nuts.



TWO OUTPUT LOAD APPLICATIONS:

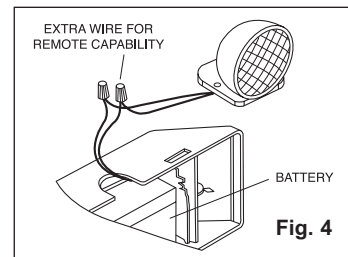
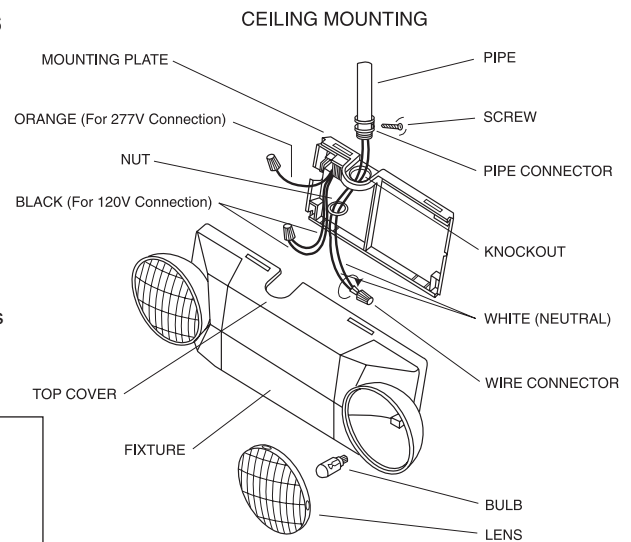
1. FOR BRIGHTER EMERGENCY LIGHTING

This fixture can use a maximum of two (2) 6V 10W T5, wedge base type lamps (total of 20W).

For this application open the lens of each head and change the lamps according to the instructions in the Relamping section above.

2. FOR REMOTE CAPABILITY

- 1- In order to use additional remote heads (6V 10.8W Max.), remove the mounting plate, disconnect the DC Lamp connectors from the PCB (labeled DC Lamp), and plug in the wire for remote heads



(included in the parts bag) to the connector labeled REMO on the PCB (see Fig. 3).

- 2- After connecting the remote heads wire to the PCB, re-connect the DC Lamp wires as supplied.
- 3- Make proper connections to the remote heads in the junction box using the remote Head wires from the emergency unit (see Fig. 4).

CAUTION: DO NOT EXCEED RECOMMENDED MAXIMUM WATTAGE (FIXTURE AND REMOTE HEADS: TOTAL 6V 21.6W)



JUNO LIGHTING GROUP

