

12V & 24V Magnetic Transformer Data
TJ25, TJ50, TJ30-24V and TJ55-24V

Project: _____

Fixture Type: _____

Location: _____

Contact/Phone: _____

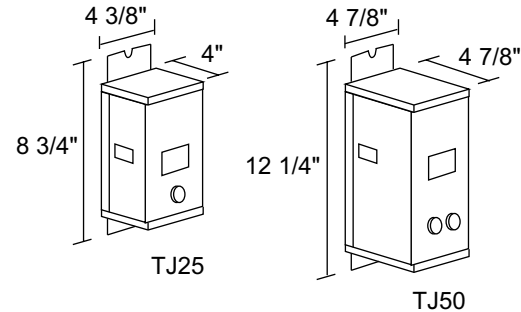
12V TRANSFORMER PRODUCT SPECIFICATIONS
Catalog Number TJ25

Description 12V-240VA Magnetic Transformer • Potted core and coil • For 120-240 watts • 13 volt boost tap • Thermally protected primary • Manually resettable circuit breaker on secondary • Primary and secondary circuits physically and electrically isolated • Vertical mounting only.

Dimming Use only high quality dimmers designed specifically for use with magnetic transformers.

Installation Spacious, easy access wiring compartment for simpler, faster installation • Operate in accessible, well ventilated locations with ambient temperatures below 140° F.

Labels UL listed, CSA certified • Union made.


Catalog Number TJ50

Description 12V-480VA Dual Circuit Magnetic Transformer • Potted core and coil • Contains two 240VA circuits, each for 120-240 watts • 13 volt boost tap • Thermally protected primary • Manually resettable circuit breaker on secondary • Primary and secondary circuits physically and electrically isolated • Vertical mounting only.

Dimming Use only high quality dimmers designed specifically for use with magnetic transformers.

Installation Spacious, easy access wiring compartment for simpler, faster installation • Operate in accessible, well ventilated locations with ambient temperatures below 140° F.

Labels UL listed, CSA certified • Union made.

DANALITE 12V VOLTAGE DROP INFORMATION (for magnetic transformers)
Table predicting voltage at first lamp for various wire lengths, gauges, inputs and loads

Distance from Transformer to 1st Lamp	Standard Tap				Boost Tap			
	12V, 20A, 240W		12V, 10A, 120W		12V, 20A, 240W		12V, 10A, 120W	
	#12	#10	#12	#10	#12	#10	#12	#10
2'	11.84	11.90	12.32	12.35	12.64	12.70	13.22	13.25
4'	11.68	11.79	12.24	12.30	12.48	12.59	13.14	13.20
12'	11.03	11.37	11.92	12.09	11.83	12.17	12.82	12.99
14'	10.87	11.27	11.84	12.03	11.67	12.07	12.74	12.93
16'	10.71	11.16	11.76	11.98	11.51	11.96	12.66	12.88
18'	10.55	11.06	11.67	11.93	11.35	11.86	12.57	12.83
20'	10.38	10.95	11.59	11.88	11.18	11.75	12.49	12.78
22'	10.22	10.85	11.51	11.82	11.02	11.65	12.41	12.72
24'	10.06	10.75	11.43	11.77	10.86	11.55	12.33	12.67
34'	9.25	10.22	11.03	11.51	10.05	11.02	11.93	12.41
38'	8.93	10.01	10.87	11.40	9.73	10.81	11.77	12.30
52'	7.80	9.28	10.31	11.04	8.60	10.08	11.21	11.94
56'	7.48	9.07	10.15	10.93	8.28	9.87	11.05	11.83
58'	7.32	8.97	10.06	10.88	8.12	9.77	10.96	11.78
86'	5.06	7.51	8.94	10.14	5.86	8.31	9.84	11.04

The shaded areas represent the suggested operating range of 11.0 to 11.8 volts at the first lamp on the trac. A voltmeter should be used to confirm that the proper voltage is present at the first lamp after installation is complete.

DANALITE

12V & 24V Magnetic Transformer Data TJ25, TJ50, TJ30-24V and TJ55-24V

24V TRANSFORMER PRODUCT SPECIFICATIONS

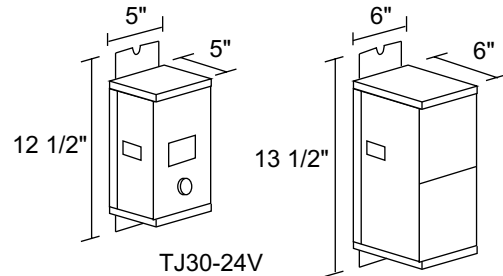
Catalog Number TJ30-24V

Description 24V-480VA Remote Magnetic Transformer • Potted core and coil • For 240-480 watts • 25 volt boost tap
• Thermally protected primary • Manually resettable circuit breaker on secondary • Primary and secondary circuits physically and electrically isolated • Vertical mounting only.

Dimming Use only high quality dimmers designed specifically for use with magnetic transformers.

Installation Spacious, easy access wiring compartment for simpler, faster installation • Operate in accessible, well ventilated locations with ambient temperatures below 140° F.

Labels UL listed, CSA certified • Union made.



Catalog Number TJ55-24V

Description 24V-960VA Dual Circuit Magnetic Transformer
• Potted core and coil • Contains two 480VA circuits, each for 240-480 watts • 25 volt boost tap • Thermally protected primary
• Manually resettable circuit breaker on secondary • Primary and secondary circuits physically and electrically isolated • Vertical mounting only.

Dimming Use only high quality dimmers designed specifically for use with magnetic transformers.

Installation Spacious, easy access wiring compartment for simpler, faster installation • Operate in accessible, well ventilated locations with ambient temperatures below 140° F.

Labels UL listed, CSA certified • Union made.

DANALITE 24V VOLTAGE DROP INFORMATION (for magnetic transformers)

Table predicting voltage at first lamp for various wire lengths, gauges, inputs and loads

Distance from Transformer to 1st Lamp	Standard Tap				Boost Tap			
	24V, 20A, 480W		24V, 10A, 240W		24V, 20A, 480W		24V, 10A, 240W	
	#12	#10	#12	#10	#12	#10	#12	#10
4'	23.68	23.79	24.64	24.70	25.28	25.39	26.44	26.50
6'	23.52	23.69	24.56	24.64	25.12	25.29	26.36	26.44
8'	23.35	23.58	24.48	24.59	24.95	25.18	26.28	26.39
24'	22.06	22.75	23.83	24.17	23.66	24.35	25.63	25.97
26'	21.90	22.64	23.75	24.12	23.50	24.24	25.55	25.92
28'	21.74	22.54	23.67	24.07	23.34	24.14	25.47	25.87
30'	21.58	22.43	23.59	24.01	23.18	24.03	25.39	25.81
38'	20.93	22.01	23.27	23.80	22.53	23.61	25.07	25.60
40'	20.77	21.91	23.19	23.75	22.37	23.51	24.99	25.55
44'	20.45	21.70	23.03	23.65	22.05	23.30	24.83	25.45
46'	20.29	21.60	22.95	23.59	21.89	23.20	24.75	25.39
68'	18.51	20.45	22.06	23.02	20.11	22.05	23.86	24.82
76'	17.86	20.03	21.74	22.81	19.46	21.63	23.54	24.61
106'	15.44	18.46	20.53	22.02	17.04	20.06	22.33	23.82
114'	14.79	18.04	20.21	21.81	16.39	19.64	22.01	23.61
116'	14.63	17.94	20.13	21.76	16.23	19.54	21.93	23.56
174'	9.95	14.91	17.80	20.23	11.55	16.51	19.60	22.03

The shaded areas represent the suggested operating range of 22.0 to 23.6 volts at the first lamp on the trac. A voltmeter should be used to confirm that the proper voltage is present at the first lamp after installation is complete.



1300 S. Wolf Road • Des Plaines, IL 60018 • Phone (847) 827-9880 • Fax (847) 827-2925
220 Chrysler Drive • Brampton, Ontario • Canada L6S 6B6 • Phone (905) 792-7335 • Fax (905) 792-0064
Visit us at www.junolightinggroup.com

Printed in U.S.A. ©2010 Juno Lighting, LLC.