

# NAVILITE EXIT & EMERGENCY

## THERMOPLASTIC EMERGENCY LIGHT

Adjustable Round Heads

### N4 Series

Project: \_\_\_\_\_

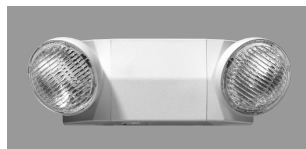
Fixture Type: \_\_\_\_\_

Location: \_\_\_\_\_

Contact/Phone: \_\_\_\_\_

#### PRODUCT DESCRIPTION

Navilite N4 Series Thermoplastic Adjustable Emergency Lights offer contemporary aesthetics, quick installation and premium options such as remote capability and lamp wattage choice in an economical package.



#### PRODUCT SPECIFICATIONS

**Construction** Injection molded, engineering-grade, UV-stable thermoplastic • UL94V-0 flame rating • Impact, scratch, fade and corrosion-resistant • Snap-fit housing and mounting plate • Universal mounting plate with quick-connect feature reduces installation labor • White or black textured finish.

**Electrical** Dual voltage 120/277VAC • Solid state charging and switching • Brownout protection • Battery low voltage disconnect • AC power indicator and test switch.

**Lamps** Supplied with 6V, 5W incandescent wedge base lamps (Standard unit), or 6V 5.4W incandescent wedge base lamps (HO version). Other lamps available, see ordering information below.

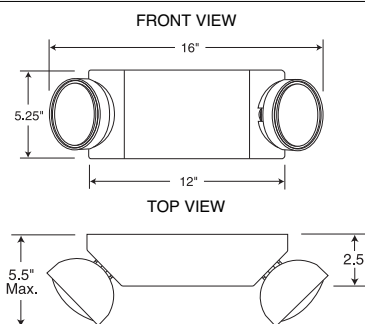
**Battery** Maintenance-free 6V sealed lead calcium battery • Standard battery will operate fixture for a minimum of 90 minutes in the event of a power outage • High Output version will operate a total of 21.6 Watts for a minimum of 90 minutes.

**Code Compliance** UL924 • NFPA 101 Life Safety Code compliant • NEC and OSHA compliant.

**Warranty** 5-year warranty (see reverse for battery warranty).

Product specifications subject to change without notice.

#### DIMENSIONS



#### ENGINEERING DATA

Item	Input Voltage	Max. Amps	Max. Watts
STD	120	0.041	4.6
Unit	277	0.020	5.1
HO	120	0.077	8.5
Version	277	0.032	8.2

#### ACCESSORIES

Catalog Number	Description
NVS3	Polycarbonate Vandal Shield - Small Bubble
NWG1	Wire Guard - Small

Accessories are ordered separately. To order, specify catalog number. Refer to Options & Accessories specification sheet for additional information.

#### INSTALLATION

**Mounting** Suitable for wall or ceiling mounting • Mounting plate includes universal mounting pattern for simple mounting over J-Box • Conduit mounting knockout allows for pendant mounting (pendant not included).

#### ORDERING INFORMATION — Standard Units

Catalog Number	Finish	Output Voltage	Lamp Wattage	Rated Output Watts		
				1 1/2 hrs.	2 hrs.	4 hrs.
N4WH	White	6V	2 x 5W	10	—	—
N4BL	Black	6V	2 x 5W	10	—	—

#### ORDERING INFORMATION — High Output Units

Catalog Number	Finish	Output Voltage	Lamp Wattage	Rated Output Watts			Remote Load
				1 1/2 hrs.	2 hrs.	3 hrs.	
N4WHH0	White	6V	2 x 5.4W	21.6	16.2	10.8	Up to 10.8W
N4BLH0	Black	6V	2 x 5.4W	21.6	16.2	10.8	Up to 10.8W
N4WHH07	White	6V	2 x 7.2W	20	15	10	—
N4BLH07	Black	6V	2 x 7.2W	20	15	10	—
N4WHH09	White	6V	2 x 9W	20	15	10	—
N4BLH09	Black	6V	2 x 9W	20	15	10	—
N4WHH10	White	6V	2 x 10W	20	15	10	—
N4BLH10	Black	6V	2 x 10W	20	15	10	—

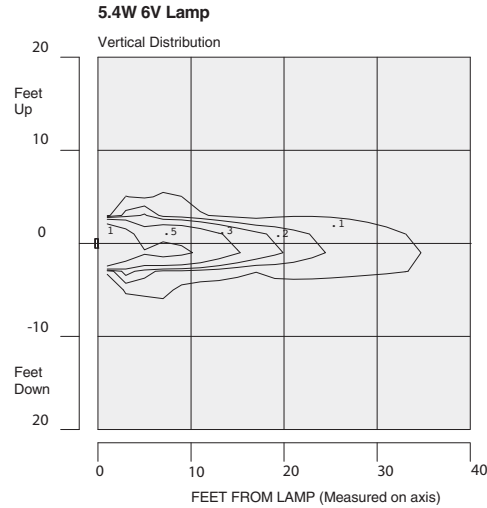
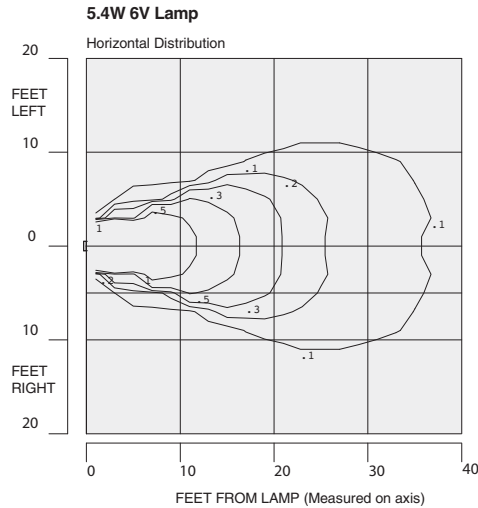
# NAVILITE EXIT & EMERGENCY

THERMOPLASTIC EMERGENCY LIGHT

Adjustable Round Heads

## N4 Series

### PHOTOMETRICS



### BATTERY DATA

- Lead Calcium battery warranted for one full year with additional 4 years pro-rated warranty
- Recharges in 48 hours or less

Type	Battery Voltage	Shelf Life <sup>1</sup>	Expected Life <sup>1</sup>	Temperature Range <sup>2</sup>
Lead Calcium (Std. Unit)	6V, 4.5Ah	15 months	5-8 years	40°F-95°F
Lead Calcium (HO Version)	6V, 7Ah	15 months	5-8 years	40°F-95°F

<sup>1</sup> At 77°F

<sup>2</sup> To obtain rated life and capacity.

### Recommended Fixture Spacing

3 Feet Wide Path of Egress		
Lamp	Spacing (X)	Ave Illumination
6V 5.4W	18.5 ft.	1.03 FC
6V 7.2W	22 ft.	1.04 FC
6V 9W	26 ft.	1.03 FC

#### Fixture spacing calculation:

Room reflectances 80/50/20 ceiling, walls, and floor respectively

Fixtures mounted 7' from the floor for 5.4W and 7.2W lamps, and 7.5' from floor for 9W lamps

Values represent an approximation and are based on an open environment

Juno Lighting Group takes no responsibility for local requirements or specific project variables. Information is provided only as an approximation of coverage/spacing.

