

ARCHITECTURAL
RECESSED LIGHTING

indyTM

Designer Series

Sophisticated
lighting for
discerning
specifiers



JUNO LIGHTING GROUP
by Schneider Electric



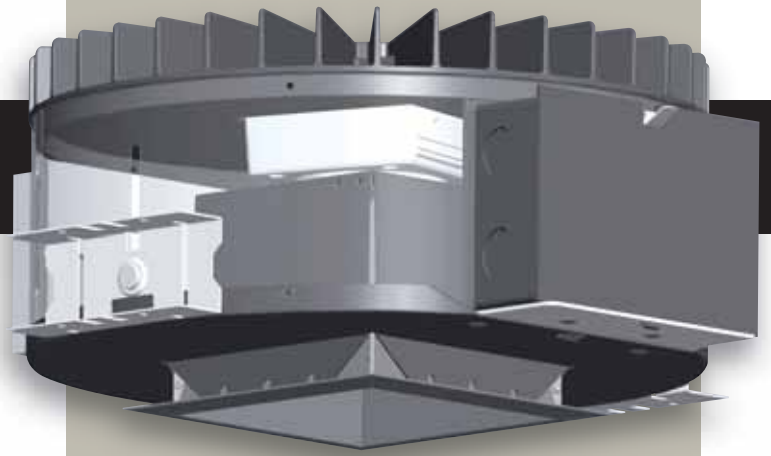
Designer Series

The ultimate expression of architectural recessed lighting

The Indy *Designer Series* collection of architectural-grade luminaires was created specifically for the discerning designer or specifier . . . hence the name, "*Designer Series*." With colorful trims, upscale finishes, and unique apertures, these beautiful luminaires are the perfect lighting solution for today's most dramatic interiors. The Indy *Designer Series* proves that one need not sacrifice efficiency and performance in the pursuit of sophisticated good looks. Their exceptional lighting characteristics are defined by very low-brightness, staged optics with excellent visual cutoff. It's the ideal merger of beauty, form and function.

Leading the way are high-output, long-life LED downlights that produce prodigious levels of high-quality light from miniscule amounts of energy. Other fixtures combine ceramic metal halide lamps with electronic ballasts to create a super-efficient, long-life light source possessing excellent color rendering properties. Compact fluorescent lamps and electronic ballasts offer economy, as well as efficiency and long service life. And a variety of incandescent lamp options combine true color rendering with excellent lumen output.

The Indy *Designer Series* features a stunning collection of round, square and rectangular luminaires for upscale accent, wall wash and downlighting applications. They are designed and engineered in the United States and manufactured to the highest quality standards, paying careful attention to every detail.

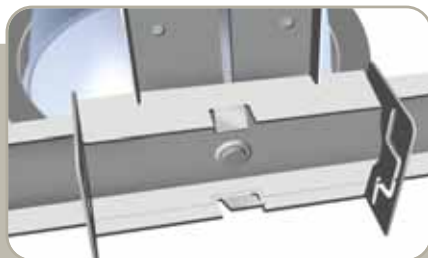


Contents

LED	page 10
Downlights	
Wall Wash	
Compact Fluorescent	pages 12-13
Downlights	
Wall Wash	
Metal Halide	pages 14-15
Downlights	
Adjustable Accents	
Wall Wash	
Incandescent	pages 16-17
Downlights	
Adjustable Accents	
Wall Wash	
Ordering Information	pages 18-21

Sought-After Quiet Ceiling Look

The **Indy Designer Series** provides the ultimate in light source concealment, yielding the sought-after quiet ceiling look without compromising on lighting performance. The secret is an ingenious staged-optics system. The first stage is a lamp-dedicated upper reflector with a clear Alzak® specular finish that focuses light in the 0° to 40° viewing area. This maximizes lumen output while reducing annoying “flash.” The second stage is provided by the satin-finish lower trim, which is designed to further minimize glare and “rainbowing.” The combination produces quiet ceilings, low brightness and dynamic interior environments.



Tru-Lock™ Mounting System

The proprietary Tru-Lock bar hanger system has an integrated T-bar screw attachment and self-locating notches for center and 1/4 tile increments, allowing quick, secure and repeatable fixture positioning. The mounting brackets also accept 1-1/2" "C" channel mounting brackets.

Custom Made

Custom finish requirements are easily accommodated with *Indy Designer Series* architectural recessed lighting because the lighting you order is made strictly to your exact specifications. *Indy Designer Series* luminaires are backed by superior customer service, so fixtures arrive at the jobsite well within project lead times.

The entire Indy fixture – rough-in, reflector and bar hanger – is ordered under one catalog number and can be shipped with rough-in and reflector separately, or assembled as one unit ready to install. Indy fixtures install easily and are engineered for easy maintenance and the ultimate in reliability.

Trim Colors and Finishes*

Squares



Black

Bronze

Wheat

Clear

Champagne Gold

Pewter

White

Rounds



Black

Bronze

Wheat

Clear

Gold

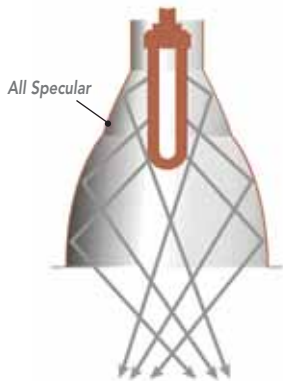
Pewter

White

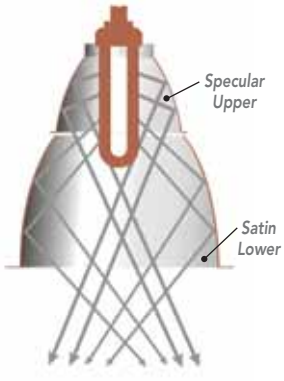
*Color options above are shown in a satin finish. Specular finishes also available.

Designer Series Staged Optics

Traditional One-Piece Optic



Designer Series Staged Optics



Thickness of arrows represents amount of light.

Traditional One-Piece Optic



Designer Series Staged Optics



Staged optics allow you to specify low-brightness or colored reflectors without sacrificing efficiency.

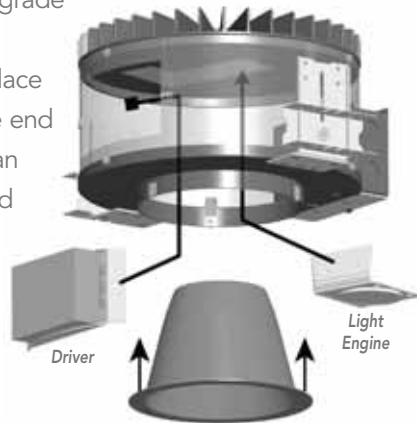
Architectural LED Luminaires reduce energy consumption and operating costs

Advantages of the Modular Design



Ready for Today and Tomorrow

Because the light engine and driver of the Indy LED Luminaire are modular components, they can be quickly and economically replaced. So if you want to change color temperature, upgrade to future technology advancements, or replace the light engine at the end of its useful life, this can be easily accomplished without having to return the unit to the factory or installing a new fixture.



The Quick Connect Light Engine

The quick connect light engine enables LED change-out without replacement of the entire fixture or heat sink. It's the ultimate in convenience.

High Output, Color Consistent, Remote Phosphor LED Technology

The remote phosphor light engine integrates **multiple blue LED die** in a mixing chamber that efficiently directs the blue light from the die onto a **remote phosphor disc**.



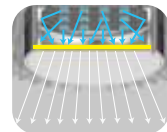
Multiple Blue LED Die



Remote Phosphor Disc

Since the light extraction from the blue LED die is greater than comparable white phosphor conversion LEDs, a highly efficient light engine results that produces 1,100 or 2000 lumens from just 18 or 34 watts of input energy.

In addition, by **blending multiple blue LED die in the mixing chamber**,

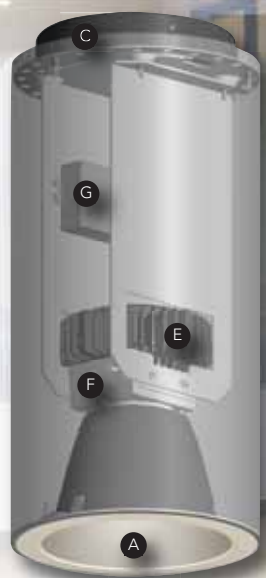
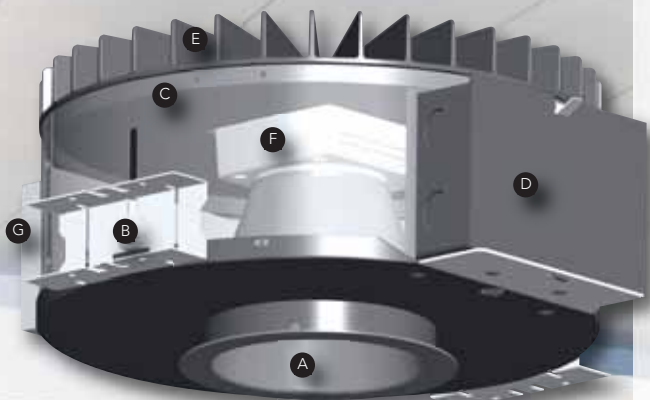


Mixing Chamber

a more consistent blue wavelength is created and matched to a remote phosphor disc producing a CCT of 3000K, 3500K or 4100K at 80 CRI. This results in greater color consistency than can currently be attained using conventional white LED packages. And since the phosphor is removed from the source of heat, thermal degradation of the phosphor is minimized and maximum color stability over time is achieved.

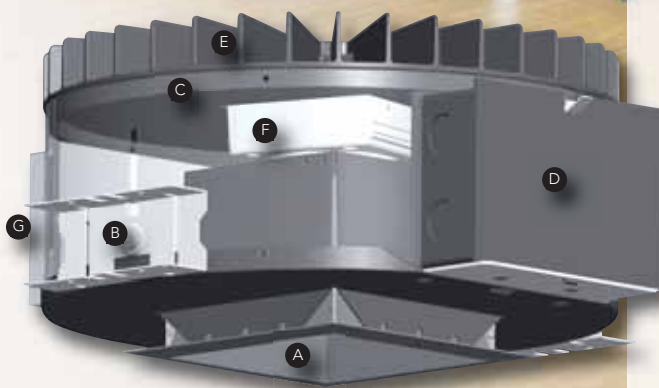
...ideal for hospitality, retail, grocery, medical, business offices and lobbies...or in any space where an upscale, designer-look is desired.

Rounds



Cylinders

Squares



A Trim

Self-flanged, low brightness trims with three Alzak® finishes, minimize rainbowning and reduce distracting spill light, creating a pleasant "quiet ceiling" appearance. Wall wash and downlight trims are interchangeable and require no modification to housing.

B Mounting Bracket

Adjustable mounting brackets provide 2" of vertical adjustment to facilitate installation. Indy Tru-Lock bar hangers are standard for secure mounting into T-bar drop ceiling applications.

C Housing

Commercial grade construction for greater structural integrity is standard. Black baked enamel finish reduces stray light.

D Junction Box

For service, the oversized J-box is accessed easily through the fixture's aperture. UL Listed for through-branch wiring and damp locations.

E Advanced Thermal Management

The Indy LED fixture employs an efficient cast-aluminum heat sink integrated directly with the housing to maintain the LED junction temperature below the manufacturer's published limits. At the end of their 50,000 hour rated life, the LEDs can be expected to produce at least 70% of their initial light output with imperceptible changes in color. Nuventix™ active cooling heat sink used for cylinders.

F High-Output LED Light Engine

Innovative light engine utilizes mixing chamber and remote phosphor lens to deliver either 1100 lumens from only 18W or 2000 lumens from only 34W, maximizing fixture efficacy and providing superior color consistency. Available in 3000K, 3500K or 4100K color temperatures. Easily replaceable from below the ceiling.

G LED Driver

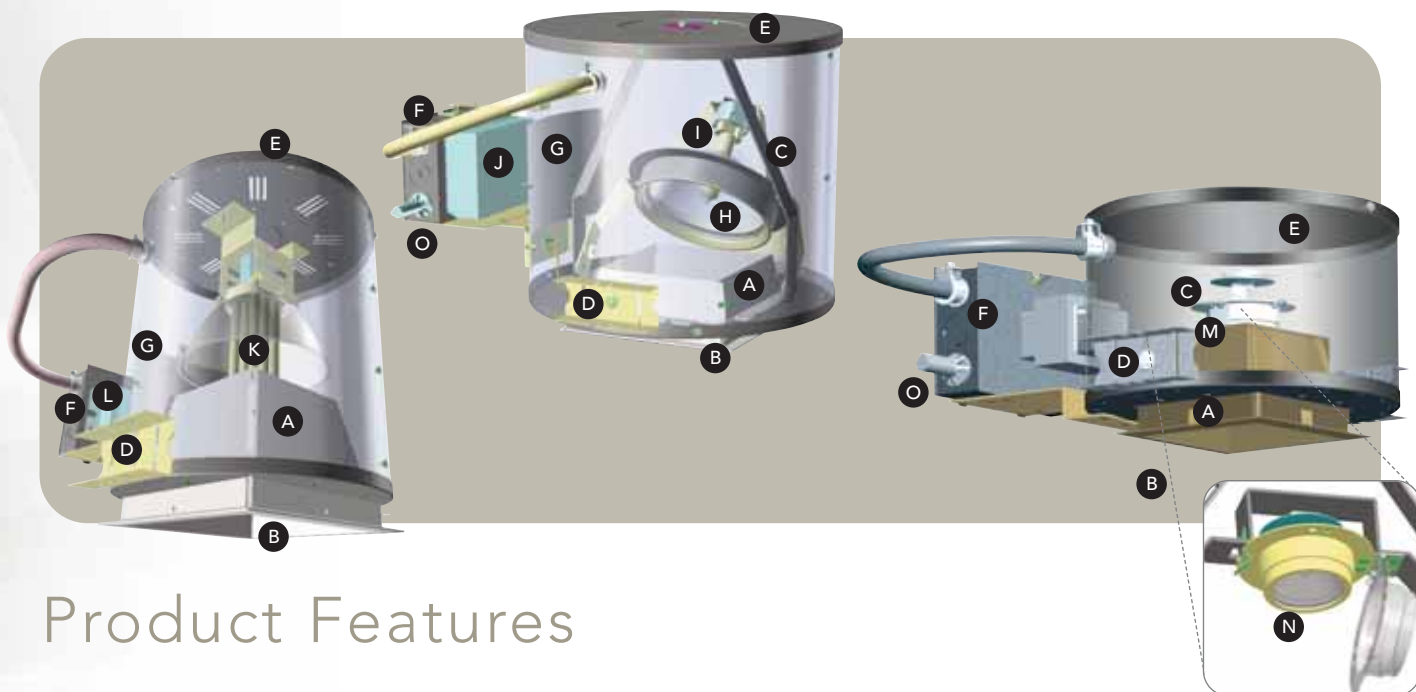
LED driver designs accommodate input voltages of 120 through 277 and 347 VAC. The "intelligent" state-of-the-art driver supplies proper, constant current to the LED light engine, providing consistent lumen output under a wide range of operating conditions. Dimming to 10% (0-10V) is standard; emergency-lighting back-up operation is optional. Easily serviced from above or below the ceiling.

indy™

Designer Series

Sophisticated lighting for discerning specifiers



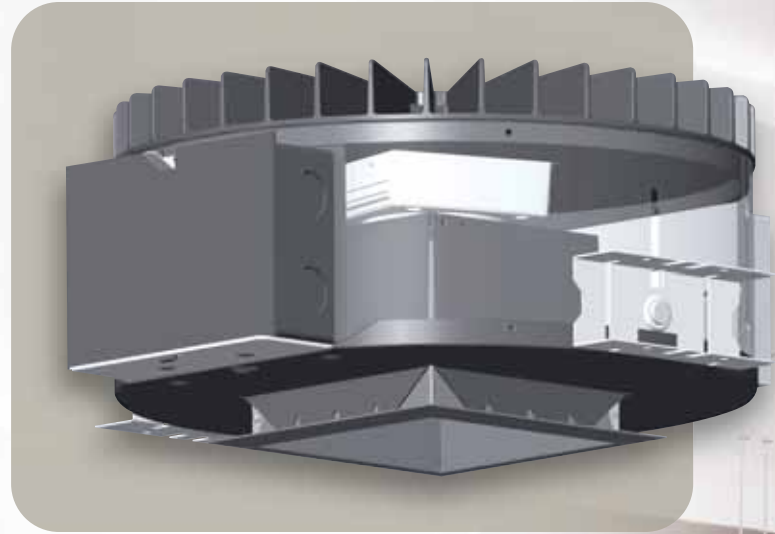


Product Features

- A Downlight Reflector System**
Designer Series Housings feature a computer-designed, two-piece upper reflector/trim system that allows for a "staged optics" design to control glare and to provide unparalleled visual comfort.
- B Trim**
Self-flanged, glare-controlling trim with Alzak® satin iridescent-free finish minimizes rainbowing, reduces distracting spill light and creates a pleasant "quiet ceiling" appearance. Most wall wash and downlight trims are interchangeable and require no modification to housing—all with no loss in performance.
- C Adjustability**
Highly engineered accent units provide 358° horizontal rotation and up to 45° vertical aiming, 35° for the T4 Quartz fixtures. Locking mechanisms assure that the lamp maintains proper position even through re-lamping cycles.
- D Mounting Bracket**
Adjustable mounting brackets provide 2" of vertical adjustment to facilitate installation and accept 1-1/2" "C" channel mounting bars. Indy Tru-Lock bar hangers are standard for secure mounting into T-bar drop ceiling applications.
- E Housing**
Commercial grade construction for greater structural integrity is standard. Black baked enamel finish reduces stray light leaks.
- F Junction Box**
For service, the oversized J-box is accessed easily through the fixture's aperture. UL Listed for through-branch wiring and damp locations.
- G Access Door**
Access panel allows for convenient, cost-saving maintenance from below the ceiling.
- H T4 & T6 Upper Reflector**
Adjustable accent light units feature a lamp-dedicated upper reflector that optimizes the lumen output of the T4 and T6 metal halide lamps for center beam candlepower. Multiple beam distributions are available for most units and can be field-changed.
- I H.I.D. Lamps**
Ceramic metal halide lamps, such as the T-6 pictured in the above fixture, combine the efficiency and long life of H.I.D. with crisp color and optical control of halogen sources. Application flexibility is further enhanced by providing a family of luminaires that use T-4, T-6 and PAR lamp configurations.
- J H.I.D. Ballasts**
Electronically controlled metal halide lamps use less energy and have improved lamp-to-lamp color stability and longer life when compared to magnetic ballast systems. Improved operating temperature also results in lower maintenance costs.
- K CFL Lamps**
The triple tube lamp provides high lumen output within an ultra-compact size. The compact size also results in superior optical performance since more of the lamp is positioned within the luminaire's reflector and helps to reduce glare.
- L CFL Ballasts**
The electronic solid state "Smart Ballast" incorporates multi-wattage and universal voltage technology, which allows the fixture to operate at 26, 32 or 42-watts and at any input voltage from 120 to 277 volts.
- M Incandescent Lamps**
Incandescent PAR30, PAR38, T4 tungsten-halogen and MR16, AR70 and AR111 low voltage lamps provide "True" color rendering, favorable lumen maintenance and compatibility with low cost, full range dimming.
- N MR16 Relamping Feature**
Lamp holder is hinged to facilitate lamp maintenance. Easily snaps back into original position after relamping to avoid need to re-aim.
- O Thermal Protection**
Insulation detectors are installed on all HID & Incandescent fixtures to safeguard against misuse of insulation materials by causing the fixture to cycle on & off, alerting the user that an overheating condition has been detected.

LED Downlight Summary

- **Two Lumen Packages**
 - (18W) 950 fixture lumens = 26W CFL
 - (34W) 1750 fixture lumens = 42W CFL
- **Three Color Temperatures**
 - 3000K, 3500K, 4100K
- **Universal Driver**
 - 120-277V, 50/60Hz (347V option available)
- **Dimming**
 - 0-10V ... standard with approved dimmers
 - Dimmable down to 10%
- **Emergency Battery Backup**
 - 55% lumen output in emergency mode
- **Modular Design**
- **5 Year Warranty**
- **Remote Phosphor Technology**
 - Energy savings – up to 54 lm/W
 - Uniform fixture-to-fixture color temp and lumen package
- **90% Efficient Driver**
- **Superior Brightness Control**
 - 40° cut-off
- **Wet Location**
 - All round and square recessed (Add "-WL" suffix)



- **Low Profile Fixture Height**
 - Under 6" above ceiling for 4 inch aperture
 - Under 7" above ceiling for 6 inch aperture
- **Broad Selection**
- **Long Life**
 - 50,000 Hours



SD4



SD6



SD8



SDSQ4



SDSQ6

LED	Downlights	Wall Wash
4" (rd)	SD4 3K/35K/41K - 18W & 34W Satin/Semi Specular/Specular	SW4 3K/35K/41K - 18W & 34W Satin/Semi Specular/Specular
6" (rd)	SD6 3K/35K/41K - 18W & 34W Satin/Semi Specular/Specular	SW6 3K/35K/41K - 18W & 34W Satin/Semi Specular/Specular
8" (rd)	SD8 3K/35K/41K - 18W & 34W Satin/Semi Specular/Specular	SW8 3K/35K/41K - 18W & 34W Satin/Semi Specular/Specular
4" (sq)	SDSQ4 3K/35K/41K - 18W & 34W Satin/Specular	SWSQ4 3K/35K/41K - 18W & 34W Satin/Specular
6" (sq)	SDSQ6 3K/35K/41K - 18W & 34W Satin/Specular	SWSQ6 3K/35K/41K - 18W & 34W Satin/Specular

See page 5 for trim colors and finishes.







The CFL Advantage

- Computer-designed, two-piece reflector system allows for a "staged" optics design
- Alzak® Satin-iridescent-free finish minimizes "rainbowing"
- Electronic "Smart Ballast" incorporating multi-wattage and universal voltage technology
- Options includes Emergency Battery Back-up with internal or remote test switch
- 120/277 universal voltage HPF electronic ballasts (with 347V option)
- Proprietary mounting system accommodates lockable, self-centering Tru-Lock bar hangers as well as standard 1-1/2" C-channel and linear bars





FD14



FD26



FD28



FD59



FDSQ14



23R24



FDSQ16



23R56



FDSQ58



25SQ21



25R71

CFL	Downlights		Wall Wash			
	Triple Horizontal	Triple Vertical	Triple Horizontal	Triple Vertical	Twin Tube Horiz.	T-5 Horiz.
4" (rd)		FD14 18/26W		FW14 18/26W		
6" (rd)	FD26 26/32/42W	FD16 26/32W	FW26 26/32/42W	FW16 26/32W		
8" (rd)	FD28 26/32/42W	FD18 26/32/42W	FW28 26/32/42W	FW18 26/32/42W		
9" (rd)	FD59 26/32/42W 2 Lamp	FD19 26/32/42W	FW59 26/32/42W 2 Lamp	FW19 26/32/42W		
CFL	Downlights		Wall Wash			
	Triple Horizontal	Triple Vertical	Triple Horizontal	Triple Vertical	Twin Tube Horiz.	T-5 Horiz.
4" (sq)	FDSQ24 26/32W	FDSQ14 26/32W	FWSQ24 26/32/42W	FWSQ14 26/32W		
4" x 8"	23R24 26/32/42W		25R24 26/32/42W			
6" (sq)	FDSQ26 26/32/42W	FDSQ16 26/32/42W	FWSQ26 26/32/42W	FWSQ16 26/32/42W		
6" x 12"	23R56 32/42W 2 Lamp		25R56 32/42W 2 Lamp			
8" (sq)	FDSQ58* 32/42W 2 Lamp		FWSQ58* 32/42W 2 Lamp			
1' x 1'			25SQ21 42/57/70W Semi Spec Clear			
1' x 2'					25R71 40/55/80W Spec Clear	25R91 24W 2 Lamp Spec Clear

See page 5 for trim colors and finishes.



*Available June 2011.

junlightinggroup.com





HID Downlights



HD74



HD76



HD18

	T-4	T-6	ED-17	Par 20/30	Par30/38
4" (rd)	HD74 20/39/70W	HD54 20/39/70W		HDB4 39/70W	
6" (rd)	HD76 20/39/70W	HD56 20/39/70/150W			HDB6 39/70/100/150W
8" (rd)		HD58 39/70/150W	HD18 50/70/100/150W (enclosed)		HDB8 39/70/100/150W
			HD38 50/70/100/150W (open)		

HID Adjustable Accent



HA74



HA76



HA58

	T-4	T-6	ED-17	Par 20/30	Par 30/38
4" (rd)	HA74 20/39/70W	HA54 20/39/70W		HAB4 39/70W	
6" (rd)	HA76 20/39/70W	HA56 20/39/70/150W			HAB6 39/70/100/150W
8" (rd)		HA58 39/70/150W	HA18 50/70/100/150W (enclosed)		HAB8 50/70/100/150W
			HA38 50/70/100/150W (open)		

See page 5 for trim colors and finishes.



The HID Advantage

- Computer-designed, two-piece reflector system allows for a “staged” optics design
- Alzak® Satin-iridescent-free finish minimizes “rainbowing”
- Square trims available with satin or specular finish
- Highly engineered accent units provide 358° horizontal rotation and up to 45° vertical aiming of lamp
- 120/277 universal voltage HPF electronic ballasts (with 347V option)
- Proprietary mounting system accommodates lockable, self-centering Tru-Lock bar hangers as well as standard 1-1/2" C-channel

HID Downlights



	T-4	T-6	ED-17	Par 20/30	Par30/38
4" (sq)	HDSQ74 20/39/70W	HDSQ54 20/39/70W		HDSQB4 39/70W	
6" (sq)	HDSQ76 20/39/70W	HDSQ56 20/39/70/150W			HDSQB6 39/70/100/150W

HID Adjustable Accent



	T-4	T-6	E9-17	Par 20/30	Par 30/38
4" (sq)	HASQ74 20/39/70W	HASQ54 20/39/70W		HASQB4 39/70W	
6" (sq)	HASQ76 20/39/70W	HASQ56 20/39/70/150W			HASQB6 39/70/100/150W

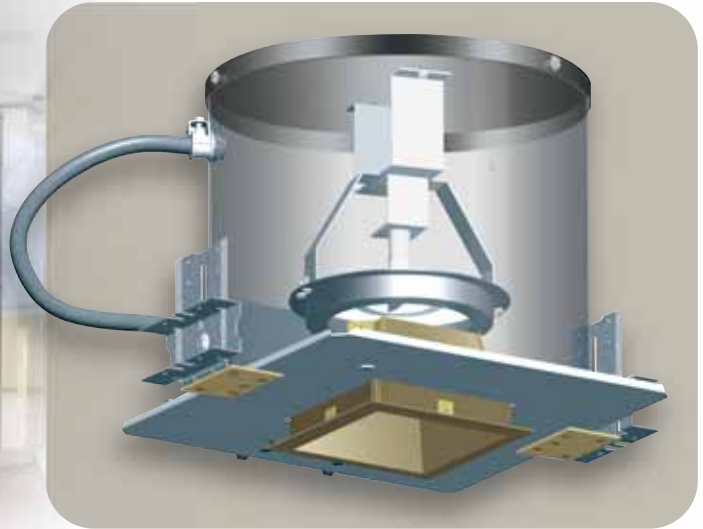
HID Wall Wash



	T-4	T-6	ED-17		
4" (sq)	HWSQ74 20/39/70W	HWSQ54 20/39/70W			
6" (sq)	HWSQ76 20/39/70W	HWSQ56 20/39/70/150W			
1' x 1'			45SQ41 70/100/150W Semi-Specular		

See page 5 for trim colors and finishes.





Incandescent Downlights



ID34



ID36



ID38

	Par 30	Par 30/38	T-4	Low Voltage MR-16	Low Voltage AR70	Low Voltage AR111
4" (rd)	ID34 50-70W			LD14 50-75W	LD34 20-50W	LD24 35-100W
6" (rd)		ID36 50-75W-P30 45-150W-P38				
8" (rd)		ID38 50-75W-P30 45-250W-P38	ID58 250/500W Narrow, Med, Wide			

Incandescent Adjustable Accent



IA34



IA36



IA38

	Par 30	Par 30/38	Par 56	T-4	Low Voltage MR-16	Low Voltage AR70	Low Voltage AR111
4" (rd)	IA34 50-75W				LA14 50-70W	LA34 20-50W	LA24 35-100W
6" (rd)		IA36 50-75W-P30 45-150W-P38					
8" (rd)		IA38 50-70W-P30 45-250W-P38	IA48 300/500W	IA58 250/500W Narrow, Med, Wide			

See page 5 for trim colors and finishes.



The Incandescent Advantage

- Oversized junction boxes for ease of wiring
- Self-flanged, glare-controlling satin finish cone/trim reduces distracting flash or hot-spots
- Square trims available with satin or specular finish
- Highly engineered accent units provide 358° horizontal rotation and up to 45° vertical aiming of lamp
- Proprietary mounting system accommodates lockable, self-centering Tru-Lock bar hangers as well as standard 1-1/2" C-channel and linear bars

Incandescent Downlights



IDSQ34



IDSQ36

	Par 30	Par 30/38	T-4	Low Voltage MR-16	Low Voltage AR70	Low Voltage AR111
4" (sq)	IDSQ34 50-75W			LDSQ14 50-75W	LDSQ34 20-50W	LDSQ24 35-100W
6" (sq)		IDSQ36 50-75W-P30 45-150W-P38	IDSQ56 100-150/250W			

Incandescent Adjustable Accent



IASQ34



IASQ36

	Par 30	Par 30/38	Par 56	T-4	Low Voltage MR-16	Low Voltage AR70	Low Voltage AR111
4" (sq)	IASQ34 50-75W				LASQ14 50-75W	LASQ34 20-50W	LASQ24 35-100W
6" (sq)		IASQ36 50-75W-P30 45-150W-P38		IASQ56 100-150W Narrow, Med, Wide			

Incandescent Wall Wash



IWSQ34



IWSQ36

	Par 30	Par 30/38	T-4	Low Voltage MR-16
4" (sq)	IWSQ34 50-75W			LWSQ14 50-75W
6" (sq)		IWSQ36 50-75W-P30 45-150W-P38	IWSQ56 100-150W	

See page 5 for trim colors and finishes.



Designer Series LED Rounds

Lamp Type	Fixture Type	Aperture Size	Light Engine Lumen Output	CCT	Trim Color	Finish	Flange	Level	Generation Options
S	D	4	11	30	SA	S	F	2	825
S	D	4	11	30	SA	S	F	2	PF
Solid State (LED)	Downlight	4 inch	1100 Lumens	3000K	Clear	Satin	Self flange		Painted flange only (White)
	W	6	20	35	CG	Q		2	F
	Wallwash	6 inch	2000 Lumens	3500K	Champagne Gold	Semi-Specular (Downlight only)			Fuse and fuse holder
		8	40	40	BA	-blank-			CP
		8 inch	4100K	4100K	Black	Specular			Chicago plenum approved (Consult factory for availability)
					PA				825
					WT				28" "C" channel mounting bars (pair)
					BR				
					WH				
					White Paint				

Designer Series LED Squares

Lamp Type	Fixture Type	Square	Aperture Size	Light Engine Lumen Output	CCT	Trim Color	Finish	Flange	Level	Generation Options
S	D	SQ	4	11	30	SA	S	F	2	825
S	D	SQ	4	11	30	SA	S	F	2	PF
Solid State (LED)	Downlight	Square	4 inch	1100 Lumens	3000K	Clear	Satin	Self flange		Painted flange only (White)
	W		6	20	35	CG	-blank-		2	F
	Wallwash		6 inch	2000 Lumens	3500K	Champagne Gold	Specular			Fuse and fuse holder
				40	40	BA				CP
				4100K	4100K	Black				Chicago plenum approved (Consult factory for availability)
						PA				825
						WT				28" "C" channel mounting bars (pair)
						BR				
						WH				
						White Paint				

Designer Series CFL Rounds

Source	Type	Lamp Configuration	Aperture	Wattage	Ballast	Color Options	Trim	Finish	Flange	Options/Accessories
F	W	5	9	42	E	SA	C	S	F	DLS
F	D	1	6	26	E	SA	C	S	F	D7
Fluorescent	Downlight	Vertical triple tube	8	32	Electronic	Clear	Cone	Satin	Self flange	Advance® dimming ballast (Mark 7)
	W	2	9	42		CG				AD
	Wallwash	Horizontal triple tube 1-lamp				Champagne Gold				Advance® dimming ballast (Mark 10)
		5				BA				BP-I
		Horizontal triple tube 2-lamp				Black				Emergency battery pack w/ internal test switch
						PA				DLS
						Pewter				Dual level switching
						WT				F
						Wheat				Fuse and fuse holder
						BR				CP
						Bronze				Chicago plenum approval
						WH				825
						White Paint				'C' channel mounting bars, pair
										SCA
										Sloped ceiling adaptor
										PF
										Painted flange

Designer Series CMH Rounds

Source	Type	Lamp Configuration	Aperture	Wattage	Input/Voltage	Color Options	Trim	Finish	Flange	Options/Accessories
H	A	3	8	70	E	CG	C	S	F	CP
H	D	1	4	20	E	SA	C	S	F	FL
H.I.D.	Downlight	Vertical ED-17 Non-protected	6	39	Electronic Universal Voltage	Clear	Cone	Satin	Self flange	Flood reflector
	A	3	8	50	E1	CG				MFL
	Accent	Vertical ED-17 Protected		70	T-4/T-6 PAR20/PAR30 120V Electronic (150W Only)	Champagne Gold				Medium flood reflector
		5		50	ED-17	BA				F
		Vertical T-6		70	277V Electronic (150W Only)	Black				Fuse and fuse holder
		7		100	E2	PA				CP
		Vertical T-4		150	T-4/T-6/ED-17 PAR30/PAR38	Pewter				Chicago plenum approval
		B		100	ED-17/PAR38	WT				825
		PAR		150		Wheat				'C' channel mounting bars, pair
				150	T-6/ED-17 PAR38	BR				SCA
						Bronze				Sloped ceiling adaptor
						WH				PF
						White Paint				Painted flange

Designer Series Incandescent Rounds

Source	Type	Lamp Configuration	Aperture	Beam Spread	Wattage	Voltage	Color Options	Trim	Finish	Flange	Options/Accessories
I	A	3	4		75	1	SA	C	S	F	825
I	D	1	4	N	75	1	SA	C	S	F	PF
Incandescent	Downlight	MR-16	PAR30, MR16 & AR70/111 only	Narrow T-4 only	75W PAR30 Max	120 Volt	Clear	Cone	Satin	Self flange	Painted Flange only (White)
L	A	2	6	M	150	2	CG				F
Low Voltage	Adjustable	AR111	PAR30/38 only	Medium T-4 Only	150W PAR38 Max	277 Volt Excluding PAR56 & T-4	Champagne Gold				Fuse and Fuse Holder
		3	8	W	250		BA				CP
		AR70	PAR30/38 Lamp	Wide T-4 Only	250W PAR38 Max		Black				Chicago Plenum Approval (Consult factory for availability)
		3	T-4, PAR30/38/56 only		250		PA				825
		PAR30/38 Lamp			T-4 Only		Pewter				28" "C" Channel Mounting Bars, Pair
		4			500		WT				SCA
		PAR56			300-500 PAR56 Only		Wheat				Sloped Ceiling Adapter
		5			500		BR				
		T-4 Quartz			T-4 Only		Bronze				
					75		WH				
					MR16 & AR70		White Paint				
					100						
					AR111 only						

Black=Common
 Red=PAR30 & PAR38 only
 Blue=PAR56
 Orange=T-4 only
 Green=MR16, AR70 & AR111 only

Designer Series CFL Squares

Source	Type	Square	Lamp Configuration	Lamp Aperture	Wattage	Ballast/Voltage	Trim Finish Options	Options
F	D	SQ	1	4	26	E	SA T S* F	F
Fluorescent	Downlight	SQ Square	1 Vertical Triple Tube	4	26 Triple Tube	E Electronic Universal Voltage	SATSF Clear (Std.) Trim Satin Self Flange CGTSF Champagne Gold Trim Satin Self Flange BATSF Black Trim Satin Self Flange PATSF Pewter Trim Satin Self Flange WTSTF Wheat Trim Satin Self Flange BRTSF Bronze Trim Satin Self Flange Painted Finish Option WHTF White Trim Self Flange	F Fuse and Fuse Holder 825 28" "C" Channel Mounting Bars, Pair BP1-I 120V Emergency Battery Pack with Internal Test Switch (For remote test switch, specify-BP1) BP2-I 277V Emergency Battery Pack with Internal Test Switch (For remote test switch, specify-BP2) CP Chicago Plenum Approval (Consult factory for availability) D7 Advance® dimming ballast (Mark 7) AD Advance® dimming ballast (Mark 10) LD Lutron® dimming ballast

Designer Series CMH Squares

Source	Type	Square	Lamp Configuration	Lamp Aperture	Wattage	Input/Voltage	Trim Finish Options	Options
H	A	SQ	7	4	20	E	SA T S* F	F
H.I.D. (CMH)	Downlight	SQ Square	7 Vertical T6	4	20 T4/T6	E Electronic Universal Voltage	SATSF Clear (Std.) Trim Satin Self Flange CGTSF Champagne Gold Trim Satin Self Flange BATSF Black Trim Satin Self Flange PATSF Pewter Trim Satin Self Flange WTSTF Wheat Trim Satin Self Flange BRTSF Bronze Trim Satin Self Flange Painted Finish Option WHTF White Trim Self Flange	F Fuse and Fuse Holder CP Chicago Plenum Approval (Consult factory for availability) 825 28" "C" Channel Mounting Bars, Pair MFL Medium Flood Reflector (T-4/T6 only) Adjustables FL Flood Reflector (T6 only) Adjustables
	Adjustable		7 Vertical T-4	6	39 T-4/T6/PAR20/PAR30	E1 120V Electronic (150W Only)		
	Wall Wash		B PAR		70 T-4/T6/PAR30/PAR38	E2 277V Electronic (150W Only)		
					100 PAR38			
					150 T6/PAR38			

Designer Series Incandescent Squares

Source	Type	Square	Lamp Configuration	Aperture	Beam Spread	Max. Lamp Wattage	Input Voltage	Trim Finish Options	Options
L	D	SQ	1	4		75	1	SA T S*	F
Incandescent	Downlight	SQ Square	1 MR16	4 (Except Quartz)	N Narrow T-4 Only	50 AR70	1 120 Volt	SATSF Clear (Std.) Trim Satin Self Flange CGTSF Champagne Gold Trim Satin Self Flange BATSF Black Trim Satin Self Flange PATSF Pewter Trim Satin Self Flange WTSTF Wheat Trim Satin Self Flange BRTSF Bronze Trim Satin Self Flange Painted Finish Option WHTF White Trim Self Flange	F Fuse and Fuse Holder PF Painted Finish Only (White) CP Chicago Plenum Approval (Consult factory for availability) 825 28" "C" Channel Mounting Bars, Pair
Low Voltage	Adjustable		2 AR111	6 (PAR, T-4 only)	M Medium T-4 Only	75 MR16	2 277 Volt (Except T-4 Quartz)		
	Wall Wash (Except AR111 and AR70)		3 AR70		W Wide T-4 Only	100 AR111			
			3 PAR30/PAR38			75 PAR30			
			5 T-4 Quartz			150 PAR38			
						150 T-4 Quartz			
						250 T-4 Quartz			

* For specular trim, remove "S" eg., SATF

Black=Common
 Red=PAR30 & PAR38 only
 Blue=PAR56
 Orange=T-4 only
 Green=MR16, AR70 & AR111 only

Light Control Accessories (Order Separately)

- Accessories Holders Lens/Louver/Filters*
- 851-** IASQ34, LASQ24, LASQ34 (Holds up to two accessories)
 - 854-** (Holds up to two accessories)
 - PGL** Prismatic Glass Lens
 - LSL** Linear Spread Lens
 - LVR** Louver

Light Control Lenses

These alter the light distribution of a given lamp, enlarging or elongating it, softening the beam edge or removing striations.



Color Filters
 These change white light into colored light and are available in a variety of colors.



Color Filters*

- CF-**
 Ordering Example: CF-XX(=Lamp Type i.e. PAR38)-Color (B)
- Color Options
- R-Red
 - P-Pink
 - B-Light Blue
 - MB-Medium Blue
 - A-Amber
 - G-Green

Designer Series Squares

Source	Square	Type/ Aperture	Lamp Wattage	Ballast	Trim Finish Options	Reflector Finishes	Options	
25	SQ	21	42	E	SATSF OR —	—	F	
25 Wall Wash	SQ Square	21 (1 x 1 Fluorescent)	42-26/32/42W	E Electronic Universal Voltage 120V/277V	SATSF Clear (Std.)	SASF Clear (Std.)	SA Clear (Std.)	F Fuse and Fuse Holder
45 Wall Wash		41 (1 x 1 HID)	57-57W		CGTSF Champagne Gold	CGSF Champagne Gold	CG Champagne Gold	CP Chicago Plenum Approval (Consult factory for availability))
			70 ED17		BATSF Black	BASF Black	BA Black	825 28" "C" Channel Mounting Bars (pair)
			100 ED17		PATSF Pewter	PASF Pewter	PA Pewter	DB Dimming Ballast (Consult Factory)
			150 ED17		WTTSF Wheat	WTSF Wheat	WT Wheat	BP1 120V Emergency Battery Pack w/Internal Test Switch (For remote test switch, specify - BP1) (For 25SQ58 Fixture Series)
					BRTSF Bronze	BRSF Bronze	BR Bronze	BP2 277V Emergency Battery Pack w/Internal Test Switch (For remote test switch, specify - BP2) (For 25SQ58 Fixture Series)
					Painted Finish Option WHTF White 23SQ26, 25SQ26 (Only)	WHF 23SQ58, 25SQ58 (Only)	WH 25SQ21, 45SQ41 (Only)	1L Single Lamp Center Position (For 23SQ58 and 25SQ58 Only)
								DLS Dual Level Switching (For 23SQ58 and 25SQ58 Only)
								PF Painted Flange Only (White) (For 23SQ26, 23SQ58, 25SQ58 and 25SQ26 Only)

Black=Common
Red=CFL Triple Tube
Blue=1x1, CFL Twin Tube
Orange=ED17

Designer Series Rectangles

Source	Rectangular	Type/ Aperture	Lamp Wattage	Ballast	Trim Finish Options	Reflector Finishes	Lens	Options
23	R	56	32	E	SATSF OR —	—	PGL	F
23 Downlight	R Rectangular	56 6" x 12" (32W or 42W) Fluorescent	26 Triple Tube (except 23R56 and 25R56)	E Electronic Universal Voltage 120V/277V	SATSF Clear (Std.)	SA Clear (Std.)	PGL Prismatic Glass (Std.) (23R24 and 25R24 Only)	F Fuse and Fuse Holder
25 Wall Wash		24 4" x 8" (26W, 32W or 42W) Fluorescent	32 Triple Tube		CGTSF Champagne Gold	CG Champagne Gold		CP Chicago Plenum Approval (Consult factory for availability))
25 Wall Wash		71 1' x 2' Long Twin Tube	42 Triple Tube		BATSF Black	BA Black		825 28" "C" Channel Mounting Bars (pair)
		91 1' x 2' T5 Fluorescent	40 Long Twin Tube		PATSF Pewter	PA Pewter		DB Dimming Ballast (Consult Factory)
			50 Long Twin Tube		WTTSF Wheat	WT Wheat		BP1-I 120V Emergency Battery Pack w/Internal Test Switch (For remote test switch, specify - BP1)
			55 Long Twin Tube		BRTSF Bronze	BR Bronze		BP2-I 277V Emergency Battery Pack w/Internal Test Switch (For remote test switch, specify - BP2)
			80 Long Twin Tube		Painted Finish Option WHTF White 23R56, 25R56, 23R24, and 25R24 (Only)	WHF 25R71, 25R91 (Only)		1L Single Lamp Center Position (25R91 Only)
			24 T5 Fluorescent					PF Painted Flange Only (White) (For 23R56, 25R56, 23R24 and 25R24 Only)

Black=Common
Red=CFL Triple Tube
Blue=CFL Twin Tube
Orange=T5 Fluorescent

LED		T-6		Par 30/38	
Round Downlights		HD54	14	ID36	16
SD4	10	HD56	14	ID38	16
SD6	10	HD58	14	T-4	
SD8	10	ED-17		ID58	16
Wall Wash		HD18	14	Low Voltage MR-16	
SW4	10	HD38	14	LD14	16
SW6	10	Par 20/30		Low Voltage AR70	
SW8	10	HDB4	14	LD34	16
LED		Par 30/38		Low Voltage AR111	
Square Downlights		HDB6	14	LD24	16
SDSQ4	10	HDB8	14	Incandescent	
SDSQ6	10	HID		Round Adjustable Accent	
Wall Wash		Round Adjustable Accent		Par 30	
SWSQ4	10	T-4		IA34	16
SWSQ6	10	HA74	14	Par 30/38	
CFL		HA76	14	IA36	16
Round Downlights		T-6		IA38	16
Triple Horizontal		HA54	14	Par 56	
FD26	13	HA56	14	IA48	16
FD28	13	HA58	14	T-4	
FD59	13	ED-17		ID58	16
Triple Vertical		HA18	14	Low Voltage MR-16	
FD14	13	HA38	14	LA14	16
FD16	13	Par 20/30		Low Voltage AR70	
FD18	13	HAB4	14	LA34	16
FD19	13	Par 30/38		Low Voltage AR111	
Wall Wash		HAB6	14	LA24	16
Triple Horizontal		HAB8	14	Incandescent	
FW26	13	HID		Square Downlights	
FW28	13	Square Downlights		Par 30	
FW59	13	T-4		IDSQ34	17
Triple Vertical		HDSQ74	15	Par 30/38	
FW14	13	HDSQ76	15	IDSQ36	17
FW16	13	T-6		T-4	
FW18	13	HDSQ54	15	IDSQ56	17
FW19	13	HDSQ56	15	Low Voltage MR-16	
CFL		Par 20/30		LDSQ14	17
Square Downlights		HDSQB4	15	Low Voltage AR70	
Triple Horizontal		Par 30/38		LDSQ34	17
23R24	13	HDSQB6	15	Low Voltage AR111	
23R56	13	HID		LDSQ24	17
FDSQ24	13	Square Adjustable Accent		Incandescent	
FDSQ26	13	T-4		Square Adjustable Accent	
FDSQ58	13	HASQ74	15	Par 30	
Triple Vertical		HASQ76	15	IASQ34	17
FDSQ14	13	T-6		Par 30/38	
FDSQ16	13	HASQ54	15	IASQ36	17
Wall Wash		HASQ56	15	T-4	
Triple Horizontal		Par 20/30		IASQ56	17
25R24	13	HASQB4	15	Low Voltage MR-16	
25R56	13	Par 30/38		LASQ14	17
FWSQ24	13	HASQB6	15	Low Voltage AR70	
FWSQ26	13	HID		LASQ34	17
FWSQ58	13	Square Wall Wash		Low Voltage AR111	
Triple Vertical		T-4		LASQ24	17
25SQ21	13	HWSQ74	15	Incandescent	
FWSQ14	13	HWSQ76	15	Square Wall Wash	
FWSQ16	13	T-6		Par 30	
Twin Tube Horizontal		HWSQ54	15	IWSQ34	17
25R71	13	HWSQ56	15	Par 30/38	
T-5 Horizontal		ED-17		IWSQ36	17
25R91	13	45SQ41	15	T-4	
HID		Incandescent		IWSQ56	17
Round Downlights		Round Downlights		Low Voltage MR-16	
T-4		Par 30		LWSQ14	17
HD74	14	ID34	16		
HD76	14				







Juno[®]

Recessed and Track Lighting

indy[™]

Architectural Recessed Lighting

Alfa[™]

Decorative Lighting Systems

AccuLite[™]

Commercial and Industrial Lighting

AcuLux[®]

Precision Recessed Lighting

NaviLite[®]

Exit and Emergency Lighting

DanaLite

Architectural Linear Lighting

1300 S. Wolf Road • Des Plaines, IL 60018
PHONE 847.827.9880 • FAX 847.827.2457 • www.junolightinggroup.com

Regional Offices & Warehouses:

California, Georgia, Illinois, Indiana, Pennsylvania, New Jersey, Texas, Ontario CN

LIT-INDY-DESIGN



Products shown in this brochure are covered by U.S. and international patents and patents pending. Specifications subject to change without notice.
© 2010 JUNO LIGHTING, LLC

Printed in U.S.A. 11/10 Rev. 1