

## UNDERCABINET PRO-FLUORESCENT

**Juno**<sup>®</sup>

- Energy efficient
- Multiple modular mounting options
- Easy-to-conceal 1" profile



T24  
2005





## Undercabinet Pro-Fluorescent



T24  
2005



Residential



Commercial

Juno Pro-Fluorescent offers highly efficient T5 illumination in the popular Pro-Series modular design to provide an energy efficient undercabinet lighting solution ideal for residential and commercial applications. The Pro-Fluorescent design features premium extruded aluminum construction in a shallow, easy-to-conceal 1" profile. Ideal for undercabinet, under shelf, and task lighting, where maximum energy efficiency, long lamp life and cool operation are desired. Pro-Fluorescent fixtures are optimized for fast, permanent installation and are available in four designer finishes to match any decor.

### Performance Features

- Energy saving, cool operating fluorescent lighting
- Fixture includes high color rendering 3000K tri-phosphor high-efficiency T5 fluorescent lamp with 10,000 hour rated lamp life\*

### Construction Features

- Modular system for installation flexibility
- Slim 1" profile
- Solid front design
- Premium UV stabilized acrylic diffuser will remain pliable and not discolor
- Integral state-of-the-art 120V electronic ballast provides instant lamp starting and quiet, flicker-free operation
- Convenient on-off rocker switch
- Designer finishes include: Black, Brushed Bronze, Brushed Silver and Designer White

### Installation Features

- Captive external screws for quick mounting
- Rear-access cover and push-in 3-wire electrical connectors for quick installation using non-metallic cable or 3/8" flexible metal conduit
- Extra off-center knockouts and feed thru wiring capability

### Listings

- UL/C-UL
- Energy Star certified
- Complies with California's Title 24 energy code

\*UPF12 is supplied with an 8W T5 3000K tri-phosphor fluorescent lamp and the lamp life is rated at 7500 hours

Pro-Fluorescent Maximum Energy Efficiency	
Watts	= Watts Halogen
8 watts	40 watts halogen
14 watts	75 watts halogen
21 watts	100 watts halogen
28 watts	150 watts halogen

**UPF Series Ordering Information**

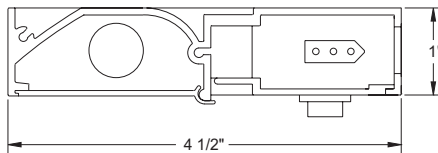
Catalog #	Lamp	Length	Finishes
UPF12	8W T5, 3000K	12-7/16"	BL, BZ, SL, WH
UPF22	14W T5 HE, 3000K	22-3/4"	BL, BZ, SL, WH
UPF34	21W T5 HE, 3000K	34-1/2"	BL, BZ, SL, WH
UPF46	28W T5 HE, 3000K	46-5/16"	BL, SL, WH

All fixtures supplied with T5 3000K tri-phosphor fluorescent lamp, mounting hardware, joiner connector and 3/8" miniature die-cast electrical connector.

**Designer Finishes:**

**BL** - Black, **BZ** - Brushed Bronze, **SL** - Brushed Silver, **WH**- Designer White

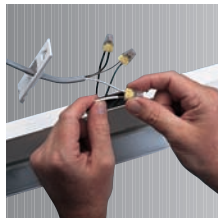
**Ordering Example:** UPF12-WH



**Pro-Fluorescent 5-minute Direct-Wire Installation**



**Step 1** Attach supply wires to rear access cover.



**Step 2** Connect supply wires to fixture leads using push-in connectors.



**Step 3** Mount fixture to cabinet bottom using captive mounting screws.



Straight-joiner-supplied for plug-together row mounting of multiple fixtures.



Optional jumper cord accessory for turning corners or spanning cabinet frames.

**Accessories**

**JC3-8**  
**JC3-17**  
**JC3-26**  
8", 17" & 26"

**Jumper Cords**

3-wire Jumper Cord to electrically join fixtures when spaced apart, turning corners, or spanning cabinet frames.

**Finish:**  
BL-Black, WH-Designer White



**ULH-CP**

**6' Cord and Plug**  
3-wire grounded cord and plug accessory for portable plug-in installation.

**Finish:**  
BL-Black, WH-Designer White



**ULH-DWM**

**Direct Wire Module**  
Facilitates code-complaint installation of fixture at front edge of cabinet. Includes wiring enclosure and 36" field-shortenable jumper cord that plugs into the right or left side of the fixture. 3"L x 3"D x 1"H

**Finish:**  
BL-Black, WH-Designer White



**ULH-CONN**

**3/8" Miniature Die-Cast Electrical Connector**  
Accessory for use when loop wiring with Romex or BX.

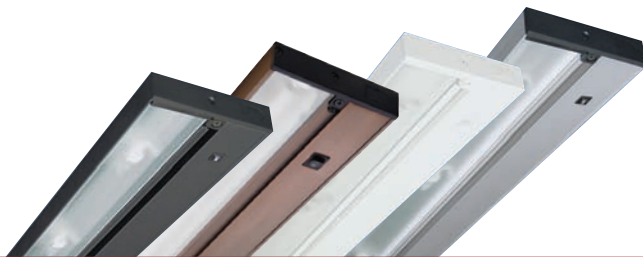
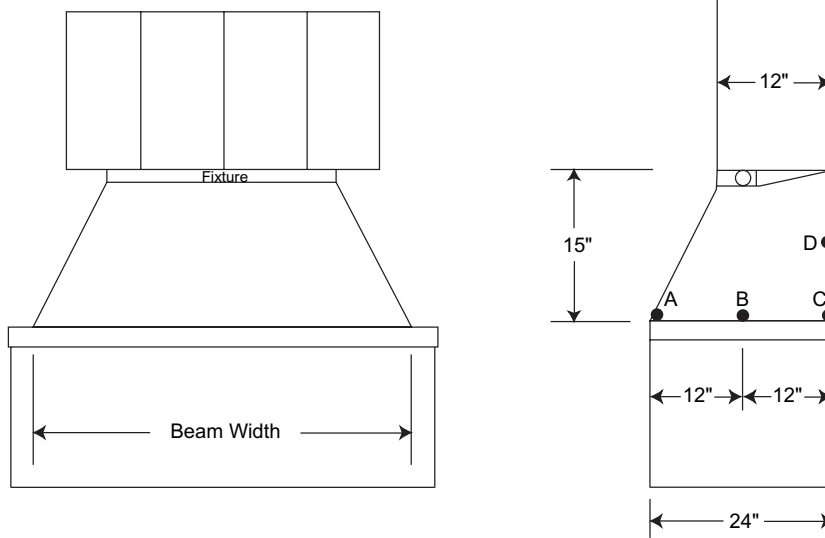


### Footcandles on Horizontal Work Surface

Catalog No.	Lamp	*Beam Width	Footcandles			
			A	B	C	D
UPF12	8-watt T5	21"	22	64	34	39
UPF22	14-watt T5 HE	27"	37	105	59	65
UPF34	21-watt T5 HE	34"	47	126	75	73
UPF46	28-watt T5 HE	43"	61	162	100	96

\*Beam width defined as 50% of maximum footcandles

Rear wall reflectance 50%  
Counter Surface Reflectance 20%



Pro Series undercabinet fixtures are also available in low voltage Halogen and Xenon models. For more information, visit our website at [junolightinggroup.com](http://junolightinggroup.com).

Visit our website at [www.junolightinggroup.com](http://www.junolightinggroup.com) for complete product information and to learn more about Juno Lighting Group.

1300 S. Wolf Road • P.O. Box 5065 • Des Plaines, IL 60017-5065  
PHONE 847.827.9880 • FAX 847.827.2457 • [junolightinggroup.com](http://junolightinggroup.com)

#### Regional Offices & Warehouses:

California, Georgia, Illinois, Indiana, New Jersey, Texas, Ontario CN



Products shown in this brochure are covered by U.S. and international patents and patents pending. Specifications subject to change without notice. © 2007 JUNO LIGHTING INC. ALL RIGHTS RESERVED.

Printed in the U.S.A. LIT-JUNO-UNCAB-UPF 11/07